

Water Treatment



TAURUS

ELECTROMECHANICAL DOSING PUMPS



Main characteristics

- These pumps are plunger piston metering pumps featuring a spring return stroke in an alluminium housing in oil bath
- Each pump is equipped with manual flow adjustment and can be equipped with an electric actuator which accepts a 4÷20 mA or inverter

TP.25 piston version

- STROKE 25 mm
 - 40÷1000 lt/h max flow rate • 20 bar max pressure • 58-116 strokes/min fixed frequency
 - 6÷24 piston diameters • 0,25/0,37/0,55/0,75 kW standard IP55 motors



Water Treatment



Taurus – Performance data

PERFORMANCES TEST HAS BEEN DONE AT AMBIENT TEMPERATURE, WITH WATER, AT 1,5 mt SUCTION HEIGHT

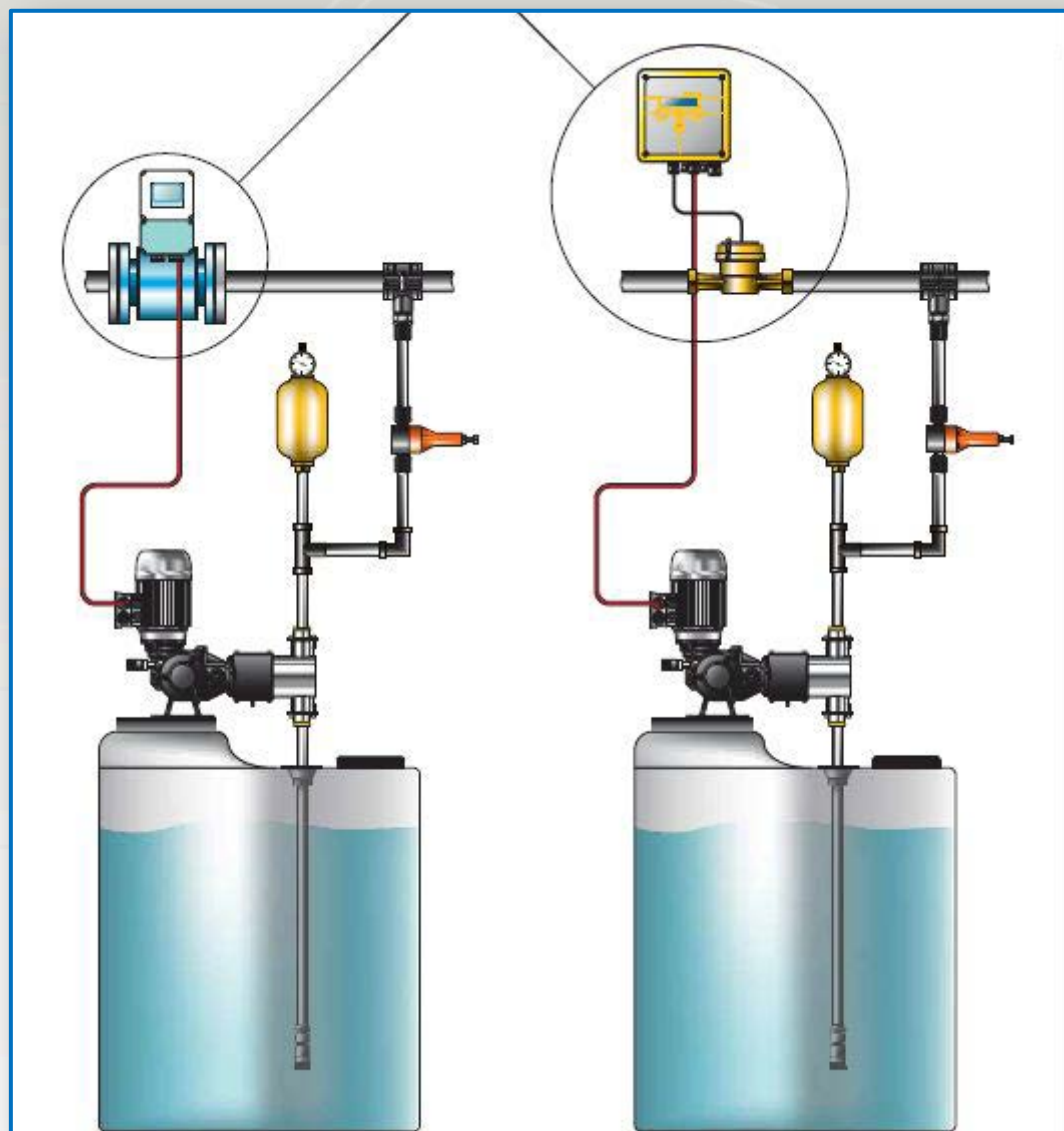
MODELS	Ø PISTONS	STROKES/MIN.	FLOW RATES	PRESSURES SS316 / PVC	CONNECTIONS	WEIGHT SS316 / PVC	MOTOR
TP25025A	25 mm	58	40,0 l/h	20 bar / 10 bar	3/8 " g.f.	15,5 Kg / 14,1 Kg	THREE PHASE 0,18 kW
TP25025C	25 mm	116	80,0 l/h	20 bar / 10 bar	3/8 " g.f.	15,5 Kg / 14,1 Kg	
TP25030A	30 mm	58	55,0 l/h	20 bar / 10 bar	3/8 " g.f.	15,5 Kg / 14,1 Kg	SINGLE PHASE 0,25 kW
TP25030C	30 mm	116	112,0 l/h	20 bar / 10 bar	3/8 " g.f.	15,5 Kg / 14,1 Kg	
TP25038A	38 mm	58	90,0 l/h	20 bar / 10 bar	1/2" g.f.	18,4 Kg / 15,6 Kg	THREE PHASE 0,37 kW SINGLE PHASE 0,55 kW
TP25038C	38 mm	116	180,0 l/h	20 bar / 10 bar	1/2" g.f.	18,4 Kg / 15,6 Kg	
TP25048A	48 mm	58	140,0 l/h	20 bar / 10 bar	1/2 " g.f.	18,4 Kg / 15,6 Kg	THREE PHASE 0,55 kW
TP25048C	48 mm	116	284,0 l/h	20 bar / 10 bar	1/2 " g.f.	18,4 Kg / 15,6 Kg	
TP25054A	54 mm	58	180,0 l/h	15 bar / 10 bar	1/2 " g.f.	20,2 Kg / 15,6 Kg	SINGLE PHASE 0,75 kW
TP25054C	54 mm	116	365,0 l/h	15 bar / 10 bar	1/2 " g.f.	20,2 Kg / 15,6 Kg	
TP25064A	64 mm	58	250,0 l/h	10 bar / 10 bar	3/4 " g.f.	21,3 Kg / 16,1 Kg	THREE PHASE 0,75 kW
TP25064C	64 mm	116	505,0 l/h	10 bar / 10 bar	3/4 " g.f.	21,3 Kg / 16,1 Kg	
TP25076A	76 mm	58	365,0 l/h	7 bar / 7 bar	1 " g.f.	28,2 Kg / 18,2 Kg	
TP25076C	76 mm	116	730,0 l/h	7 bar / 7 bar	1 " g.f.	28,2 Kg / 18,2 Kg	
TP25089A	89 mm	58	495,0 l/h	5 bar / 5 bar	1 " g.f.	30,4 Kg / 18,6 Kg	
TP25089C	89 mm	116	1000,0 l/h	5 bar / 5 bar	1 " g.f.	30,4 Kg / 18,6 Kg	

Water Treatment

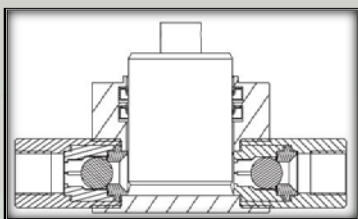


Example of installation

Flow measure through electromagnetic flow rate or signal from pulse emitter water meter and proportional dosing with motor pump with inverter

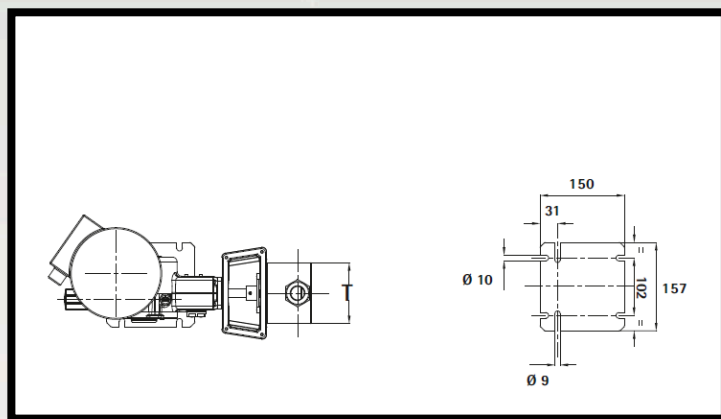
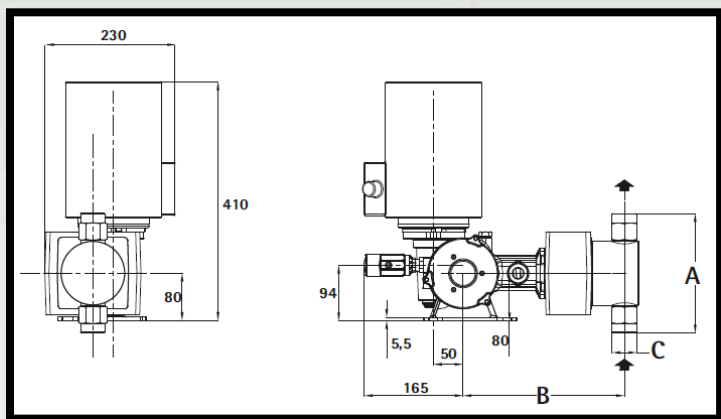


Water Treatment



- SS316 or PVC pump head
- SS316 or CERAMIC PISTON

Dimensional drawings



Ø PISTONI Ø PISTONS	SS316				PVC			
	A	B	C	T	A	B	C	T
25 mm	120	258	3/8" g.f.	68	157	258	3/8" g.f.	80
30 mm	120	258	3/8" g.f.	68	157	258	3/8" g.f.	80
38 mm	160	268	1/2" g.f.	88	168	268	3/8" g.f.	100
48 mm	160	268	1/2" g.f.	88	196	268	1/2" g.f.	100
54 mm	173	268	1/2" g.f.	108	216	268	1/2" g.f.	120
64 mm	202	273	3/4" g.f.	108	222	273	3/4" g.f.	120
76 mm	238	288	1" g.f.	138	244	288	1" g.f.	148
89 mm	252	288	1" g.f.	150	256	288	1" g.f.	160